

# 磁浮粉末螺旋絲攻 / 難削材專用

M.C.T. Powder Spiral Flute Taps / for Hardworking Material

- 1. 不產生高溫，可加工  $\leq$  HRC50°  
High temperature resistance and capable of material HRC  $\leq$ 50° during metal processing.
- 2. 磨擦係數極低，排屑容易。  
The coefficient of friction is minimized to nearly smooth surface; chippings come easily.



產品編號 Item Code	規格 Norm	精度 Precision	牌價 Price
MCTO030*050CC	M3 x 0.5	OH3	
MCTO040*070CC	M4 x 0.7	OH3	
MCTO050*080CC	M5 x 0.8	OH3	
MCTO060*100CC	M6 x 1.0	OH3	
MCTO080*125CC	M8 x 1.25	OH3	
MCTO100*150CC	M10 x 1.5	OH3	
MCTO100*125CC	M10 x 1.25	OH3	
MCTO120*175CC	M12 x 1.75	OH3	
MCTO120*150CC	M12 x 1.5	OH3	
MCTO120*125CC	M12 x 1.25	OH4	
MCTO140*200CC	M14 x 2.0	OH4	

產品編號 Item Code	規格 Norm	精度 Precision	牌價 Price
MCTO140*150CC	M14 x 1.5	OH3	
MCTO160*200CC	M16 x 2.0	OH4	
MCTO160*150CC	M16 x 1.5	OH3	
MCTO180*250CC	M18 x 2.5	OH4	
MCTO180*150CC	M18 x 1.5	OH4	
MCTO200*250CC	M20 x 2.5	OH4	
MCTO200*150CC	M20 x 1.5	OH4	
MCTO220*250CC	M22 x 2.5	OH4	
MCTO220*150CC	M22 x 1.5	OH4	
MCTO240*300CC	M24 x 3.0	OH4	
MCTO240*150CC	M24 x 1.5	OH4	
MCTO300*350CC	M30 x 3.5	OH4	

### 推薦切削條件 Recommended Tapping Conditions

低碳素鋼 Low Carbon Steels	中碳素鋼 Medium Carbon Steels	高碳素鋼 High Carbon Steels	合金鋼 Alloy Steels	調質鋼 Hardened Steels			不銹鋼 Stainless Steels	工具鋼 Tool Steels	鑄鋼 Cast Steels	鑄鐵 Cast Iron	強韌鑄鐵 Ductile Cast Iron	銅 Copper
C0.25% 以下	C0.25% ~0.45%	C0.45% 以上	SCM	25~40 HRC	40~50 HRC	50~60 HRC	SUS	SKD	SC	FC	FCD	Cu
		▲	△	▲	▲			▲			△	

黃銅 Brass	黃銅鑄件 Brass Casting	青銅 Bronze	鋁軋壓材料 Aluminum Rolled	鋁合金鑄件 Aluminum Alloy Casting	鎂合金鑄物 Magnesium Alloy Casting	鋅鑄件 Zinc Alloy Casting	鈦合金 Titanium Alloys	鎳基合金 Nickel Alloys	熱硬塑料 Thermo Setting Plastic	熱可塑性塑料 Thermo Plastic
BS	BsC	PB	AL	AC ADC	MC	ZDC				
							△	△		

△適用 ▲專用

# 磁浮粉末先端絲攻 / 難削材專用

M.C.T. Powder Spiral Point Taps / for Hardworking Material



產品編號 Item Code	規格 Norm	精度 Precision	牌價 Price
MCTO030*050BC	M3 x 0.5	OH3	
MCTO040*070BC	M4 x 0.7	OH3	
MCTO050*080BC	M5 x 0.8	OH3	
MCTO060*100BC	M6 x 1.0	OH3	
MCTO080*125BC	M8 x 1.25	OH3	
MCTO100*150BC	M10 x 1.5	OH3	
MCTO100*125BC	M10 x 1.25	OH3	
MCTO120*175BC	M12 x 1.75	OH3	
MCTO120*150BC	M12 x 1.5	OH3	
MCTO120*125BC	M12 x 1.25	OH4	
MCTO140*200BC	M14 x 2.0	OH4	
MCTO140*150BC	M14 x 1.5	OH3	
MCTO160*200BC	M16 x 2.0	OH4	
MCTO160*150BC	M16 x 1.5	OH3	
MCTO180*250BC	M18 x 2.5	OH4	
MCTO180*150BC	M18 x 1.5	OH4	
MCTO200*250BC	M20 x 2.5	OH4	
MCTO200*150BC	M20 x 1.5	OH4	
MCTO220*250BC	M22 x 2.5	OH4	
MCTO220*150BC	M22 x 1.5	OH4	
MCTO240*300BC	M24 x 3.0	OH4	
MCTO240*150BC	M24 x 1.5	OH4	
MCTO270*300BC	M27 x 3.0	OH4	

(A) 銑刀  
ENDMILLS  
(B) 鑽頭  
DRILLS  
(C) 絞刀  
REAMERS  
(D) 絲攻  
TAPS  
(E) 刀桿/刀盤  
MILLING CUTTERS  
(F) 刀片  
INSERTS

(A) 銑刀  
ENDMILLS  
(B) 鑽頭  
DRILLS  
(C) 絞刀  
REAMERS  
(D) 絲攻  
TAPS  
(E) 刀桿/刀盤  
MILLING CUTTERS  
(F) 刀片  
INSERTS

# 磁浮粉末螺旋絲攻

## M.C.T. Powder Spiral Flute Taps

- 加工材：  
各種碳鋼、合金鋼、  
不銹鋼、鑄鋼、銅、  
鑄鋁、鋁合金、鋅、  
鑄鐵等之深孔加工。  
Processing material:  
Deep hole machining of  
Various Carbon Steel,  
Alloy Steels, Stainless  
Steels, Cast Steels,  
Copper, Cast aluminum,  
Aluminum alloy, Zinc,  
Cast Iron, etc.
- 螺旋角 45°。  
Helix angle is 45°.



產品編號 Item Code	規格 Norm	下孔徑 Inner Aperture	全長刃長 Full Length Flute Length	柄徑四角 Shank diameter Four corners	精度 Precision	牌價 Price
MCTD012*025CC	M1.2 x 0.25	0.95	32-7	3-2.5	OH1	
MCTD014*030CC	M1.4 x 0.3	1.1	34-9.5	3-2.5	OH1	
MCTD016*035CC	M1.6 x 0.35	1.25	36-9.5	3-2.5	OH1	
MCTD017*035CC	M1.7 x 0.35	1.35	36-9.5	3-2.5	OH1	
MCTD020*040CC	M2 x 0.4	1.6	40-9.5	3-2.5	OH2	
MCTD025*045CC	M2.5 x 0.45	2.05	44-9.5	3-2.5	OH2	
MCTD026*045CC	M2.6 x 0.45	2.15	46-9.5	3-2.5	OH2	
MCTD030*050CC	M3 x 0.5	2.5	46-3.5	4-3.2	OH2	
MCTD040*040CC	M4 x 0.7	3.3	52-4.9	5-4	OH2	
MCTD040*050CC	M4 x 0.5	3.5	52-4.9	5-4	OH1	
MCTD050*080CC	M5 x 0.8	4.2	60-5.6	5.5-4.5	OH2	
MCTD050*050CC	M5 x 0.5	4.5	60-5.6	5.5-4.5	OH2	
MCTD060*100CC	M6 x 1	5	62-7	5.5-4.5	OH2	
MCTD060*075CC	M6 x 0.75	5.25	62-7	5.5-4.5	OH2	
MCTD070*100CC	M7 x 1	6	62-7	5.5-4.5	OH2	
MCTD080*125CC	M8 x 1.25	6.8	70-8.5	6.2-2.5	OH3	
MCTD080*100CC	M8 x 1	7	70-8.5	6.2-5	OH2	
MCTD080*075CC	M8 x 0.75	7.25	70-8.5	6.2-5	OH2	
MCTD090*100CC	M9 x 1	8	72-8.5	6.2-5	OH2	
MCTD100*150CC	M10 x 1.5	8.5	75-10.5	7-5.5	OH3	
MCTD100*125CC	M10 x 1.25	8.8	75-10.5	7-5.5	OH3	
MCTD100*100CC	M10 x 1	9	75-10.5	7-5.5	OH2	
MCTD100*075CC	M10 x 0.75	9.3	75-10.5	7-5.5	OH2	
MCTD110*100CC	M11 x 1	10	80-10.5	7-5.5	OH2	
MCTD120*175CC	M12 x 1.75	10.3	82-12	8.5-6.5	OH3	
MCTD120*150CC	M12 x 1.5	10.5	82-12	8.5-6.5	OH3	
MCTD120*125CC	M12 x 1.25	10.8	82-12	8.5-6.5	OH3	
MCTD120*100CC	M12 x 1	11	82-12	8.5-6.5	OH2	

# 磁浮粉末螺旋絲攻

## M.C.T. Powder Spiral Flute Taps

產品編號 Item Code	規格 Norm	下孔徑 Inner Aperture	全長刃長 Full Length Flute Length	柄徑四角 Shank diameter Four corners	精度 Precision	牌價 Price
MCTD140*200CC	M14 x 2	12	88-14	10.5-8	OH3	
MCTD140*150CC	M14 x 1.5	12.5	88-14	10.5-8	OH3	
MCTD140*100CC	M14 x 1	13	88-14	10.5-8	OH2	
MCTD150*100CC	M15 x 1	14	88-14	10.5-8	OH2	
MCTD160*200CC	M16 x 2	14	95-14	12.5-10	OH3	
MCTD160*150CC	M16 x 1.5	14.5	95-14	12.5-10	OH3	
MCTD180*250CC	M18 x 2.5	15.5	100-17.5	14-11	OH3	
MCTD180*150CC	M18 x 1.5	16.5	100-17.5	14-11	OH3	
MCTD200*250CC	M20 x 2.5	17.5	105-17.5	15-12	OH3	
MCTD200*150CC	M20 x 1.5	18.5	105-17.5	15-12	OH3	
MCTD220*250CC	M22 x 2.5	19.5	115-17.5	17-13	OH4	
MCTD220*150CC	M22 x 1.5	20.5	115-17.5	17-13	OH3	
MCTD240*300CC	M24 x 3	21	120-21	19-15	OH4	
MCTD240*150CC	M24 x 1.5	22.5	120-21	19-15	OH3	
MCTD270*300CC	M27 x 3	24	130-21	20-15	OH3	
MCTD280*200CC	M28 x 2	26	130-21	21-17	OH3	
MCTD300*350CC	M30 x 3.5	26.5	135-24.5	23-17	OH4	
MCTD330*350CC	M33 x 3.5	29.5	145-24.5	25-19	OH4	
MCTD360*400CC	M36 x 4	32	155-28	28-21	OH5	

### 長柄 Long Shank

產品編號 Item Code	規格 Norm	下孔徑 Inner Aperture	全長刃長 Full Length Flute Length	柄徑四角 Shank diameter Four corners	精度 Precision	牌價 Price
MCTD030CC	M3 x 0.5 x 100	2.5	100-5	4-3.2	OH2	
MCTD040CC	M4 x 0.7 x 100	3.3	100-7	5-4	OH2	
MCTD050CC	M5 x 0.8 x 100	4.2	100-8	5.5-4.5	OH2	
MCTD060CC	M6 x 1.0 x 100	5	100-10	5.5-4.5	OH2	
MCTD080CC	M8 x 1.25 x 100	6.8	100-12	6.2-2.5	OH2	
MCTD080-120CC	M8 x 1.25 x 120	6.8	100-12	6.2-2.5	OH2	
MCTD080-150CC	M8 x 1.25 x 150	6.8	150-12	6.2-2.5	OH2	
MCTD100CC	M10 x 1.5 x 100	8.5	100-15	7-5.5	OH2	
MCTD100-120CC	M10 x 1.5 x 120	8.5	120-15	7-5.5	OH2	
MCTD100-150CC	M10 x 1.5 x 150	8.5	120-15	7-5.5	OH2	
MCTD120CC	M12 x 1.75 x 100	10.3	100-18	8.5-6.5	OH2	
MCTD120-120CC	M12 x 1.75 x 120	10.3	120-18	8.5-6.5	OH2	
MCTD120-150CC	M12 x 1.75 x 150	10.3	150-18	8.5-6.5	OH2	

# 磁浮粉末先端絲攻

M.C.T. Powder Spiral Point Taps

加工材：  
中碳以下鋼材、  
合金鋼、不銹鋼、  
鑄鋼、銅、鑄鋁、  
鋁合金、鋅、鑄鐵  
等之高速切削。  
Processing material:  
High-speed cutting of  
below Medium Carbon  
Steel, Alloy Steels,  
Stainless Steels, Cast  
Steels, Copper, Cast  
aluminum, Aluminum alloy,  
Zinc, Cast Iron, etc.



產品編號 Item Code	規格 Norm	下孔徑 Inner Aperture	全長刃長 Full Length Flute Length	柄徑四角 Shank diameter Four corners	牌價 Price
MCTD014*030BC	M1.4 x 0.3	1.1	34	3-2.5	
MCTD016*035BC	M1.6 x 0.35	1.25	36	3-2.5	
MCTD017*035BC	M1.7 x 0.35	1.35	36	3-2.5	
MCTD018*035BC	M1.8 x 0.35	1.45	36	3-2.5	
MCTD020*040BC	M2 x 0.4	1.6	40	3-2.5	
MCTD022*045BC	M2.2 x 0.45	1.75	42	3-2.5	
MCTD025*045BC	M2.5 x 0.45	2.1	44	3-2.5	
MCTD026*045BC	M2.6 x 0.45	2.15	46	4-3.2	
MCTD030*050BC	M3 x 0.5	2.5	46	4-3.2	
MCTD035*060BC	M3.5 x 0.6	2.9	48	4-3.2	
MCTD040*070BC	M4 x 0.7	3.3	52	5-4	
MCTD050*080BC	M5 x 0.8	4.2	60	5.5-4.5	
MCTD060*100BC	M6 x 1	5	62	6-4.5	
MCTD060*075BC	M6 x 0.75	5.25	62	6-4.5	
MCTD070*100BC	M7 x 1	6	65	6.2-5	
MCTD070*075BC	M7 x 0.75	6.25	65	6.2-5	
MCTD080*125BC	M8 x 1.25	6.8	70	6.2-2.5	
MCTD080*100BC	M8 x 1	7	70	6.2-5	
MCTD080*075BC	M8 x 0.75	7.25	70	6.2-5	

# 磁浮粉末先端絲攻

M.C.T. Powder Spiral Point Taps

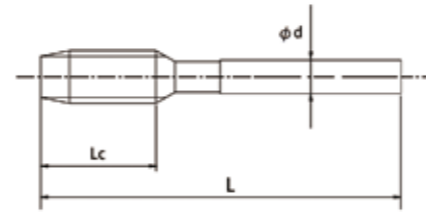
產品編號 Item Code	規格 Norm	下孔徑 Inner Aperture	全長刃長 Full Length Flute Length	柄徑四角 Shank diameter Four corners	牌價 Price
MCTD090*100BC	M9 x 1	8	72	7-5	
MCTD100*150BC	M10 x 1.5	8.5	75	7-5.5	
MCTD100*125BC	M10 x 1.25	8.8	75	7-5.5	
MCTD100*100BC	M10 x 1	9	75	7-5.5	
MCTD120*175BC	M12 x 1.75	10.3	82	8.5-6.5	
MCTD120*150BC	M12 x 1.5	10.5	82	8.5-6.5	
MCTD120*125BC	M12 x 1.25	10.8	82	8.5-6.5	
MCTD120*100BC	M12 x 1	11	82	8.5-6.5	
MCTD140*200BC	M14 x 2	12	88	10.5-8	
MCTD140*150BC	M14 x 1.5	12.5	88	10.5-8	
MCTD140*125BC	M14 x 1.25	12.8	88	10.5-8	
MCTD140*100BC	M14 x 1	13	88	10.5-8	
MCTD160*200BC	M16 x 2	14	95	12.5-10	
MCTD160*150BC	M16 x 1.5	14.5	95	12.5-10	
MCTD160*100BC	M16 x 1	15	95	12.5-10	
MCTD180*250BC	M18 x 2.5	15.5	100	14-11	
MCTD180*200BC	M18 x 2	16	100	14-11	
MCTD180*150BC	M18 x 1.5	16.5	100	14-11	
MCTD180*100BC	M18 x 1	17	100	14-11	
MCTD200*250BC	M20 x 2.5	17.5	105	15-12	
MCTD200*200BC	M20 x 2	18	105	15-12	
MCTD200*150BC	M20 x 1.5	18.5	105	15-12	
MCTD200*100BC	M20 x 1	19	105	15-12	
MCTD220*250BC	M22 x 2.5	19.5	115	17-13	
MCTD220*150BC	M22 x 1.5	20.5	115	17-13	
MCTD240*300BC	M24 x 3	21	120	19-15	
MCTD240*150BC	M24 x 1.5	22.5	120	19-15	
MCTD270*300BC	M27 x 3	24	130	20-15	
MCTD300*350BC	M30 x 3.5	26.5	135	23-17	

(A) 銑刀  
ENDMILLS  
(B) 鑽頭  
DRILLS  
(C) 絞刀  
REAMERS  
(D) 絲攻  
TAPS  
(E) 刀桿/刀盤  
MILLING CUTTERS  
(F) 刀片  
INSERTS

(A) 銑刀  
ENDMILLS  
(B) 鑽頭  
DRILLS  
(C) 絞刀  
REAMERS  
(D) 絲攻  
TAPS  
(E) 刀桿/刀盤  
MILLING CUTTERS  
(F) 刀片  
INSERTS

# 磁浮鎢鋼螺旋絲攻

M.C.T. TUNGSTEN CARBIDE SPIRAL FLUTE TAPS



公制粗牙 Metric Coarse Threads

產品編號 Item Code	規格 Norm	螺距 Pitch	全長 L	螺長 Lc	柄徑 d	溝數 No. of Flutes	牌價 Price
WTE030*050CC-C	M3.0	0.5	46	20	4	3	
WTE030*060CC-C	M3.0	0.6	46	20	4	3	
WTE035*060CC-C	M3.5	0.6	48	20	4	3	
WTE040*070CC-C	M4.0	0.7	52	20	5	3	
WTE040*075CC-C	M4.0	0.75	52	20	5	3	
WTE045*075CC-C	M4.5	0.75	52	20	5	3	
WTE050*080CC-C	M5.0	0.8	60	22	5.5	3	
WTE050*090CC-C	M5.0	0.9	60	22	5.5	3	
WTE055*090CC-C	M5.5	0.9	60	22	5.5 or 6	3	
WTE060*100CC-C	M6.0	1.0	62	24	6 or 6.2	3	
WTE070*100CC-C	M7.0	1.0	65	26	6.2 or 8.2	3	
WTE080*125CC-C	M8.0	1.25	72	30	6.2 or 8.2	3 or 4	
WTE090*125CC-C	M9.0	1.25	72	30	7 or 9.2	3 or 4	
WTE100*150CC-C	M10.0	1.5	75	30	7 or 10.2	3 or 4	
WTE110*150CC-C	M11.0	1.5	80	30	8 or 11.3	3 or 4	
WTE120*175CC-C	M12.0	1.75	80	30	8.5 or 12.2	3 or 4	
WTE140*200CC-C	M14.0	2.0	80	30	10.5 or 13	3 or 4	
WTE160*200CC-C	M16.0	2.0	85	26	22.225	3 or 4	
WTE180*250CC-C	M18.0	2.5	85	26	22.225	4	
WTE200*250CC-C	M20.0	2.5	90	26	22.225	4	
WTE220*250CC-C	M22.0	2.5	90	26	22.225	4	
WTE240*300CC-C	M24.0	3.0	90	26	22.225	4	
WTE270*300CC-C	M27.0	3.0	90	26	22.225	4	
WTE300*350CC-C	M30.0	3.5	90	26	22.225	4	
WTE330*350CC-C	M33.0	3.5	90	26	22.225	4 or 6	
WTE360*400CC-C	M36.0	4.0	90	26	22.225	6	
WTE390*400CC-C	M39.0	4.0	90	26	22.225	6	
WTE420*450CC-C	M42.0	4.5	90	26	22.225	6	
WTE450*450CC-C	M45.0	4.5	90	26	22.225 or 31.75	6	
WTE480*500CC-C	M48.0	5.0	90	26	22.225 or 31.75	6 or 8	

# 磁浮鎢鋼螺旋絲攻

M.C.T. TUNGSTEN CARBIDE SPIRAL FLUTE TAPS

公制細牙 Metric Fine Threads

產品編號 Item Code	規格 Norm	螺距 Pitch	全長 L	螺長 Lc	柄徑 d	溝數 No. of Flutes	牌價 Price
WTE040*050CC-F	M4.0	0.5	52	20	5	3	
WTE045*050CC-F	M4.5	0.5	52	20	5	3	
WTE050*050CC-F	M5.0	0.5	60	20	5.5	3	
WTE055*050CC-F	M5.5	0.5	60	22	5.5 or 6	3	
WTE060*075CC-F	M6.0	0.75	62	24	6 or 6.2	3	
WTE070*075CC-F	M7.0	0.75	65	26	6.2 or 8.2	3	
WTE080*100CC-F	M8.0	1.0	72	30	6.2 or 8.2	3 or 4	
WTE080*075CC-F	M8.0	0.75	72	30	6.2 or 8.2	3 or 4	
WTE090*100CC-F	M9.0	1.0	72	30	7 or 9.2	3 or 4	
WTE090*075CC-F	M9.0	0.75	72	30	7 or 9.2	3 or 4	
WTE100*125CC-F	M10	1.25	75	30	7 or 10.2	3 or 4	
WTE100*100CC-F	M10	1.0	75	30	7 or 10.2	3 or 4	
WTE100*075CC-F	M10	0.75	75	30	7 or 10.2	3 or 4	
WTE110*100CC-F	M11	1.0	80	30	8 or 11.3	3 or 4	
WTE110*075CC-F	M11	0.75	80	30	8 or 11.3	3 or 4	
WTE120*150CC-F	M12	1.5	80	30	8.5 or 12.2	3 or 4	
WTE120*125CC-F	M12	1.25	80	30	8.5 or 12.2	3 or 4	
WTE120*100CC-F	M12	1.0	80	30	8.5 or 12.2	3 or 4	
WTE140*150CC-F	M14	1.5	80	30	10.5 or 13	3 or 4	
WTE140*100CC-F	M14	1.0	80	30	10.5 or 13	3 or 4	
WTE150*150CC-F	M15	1.5	85	26	22.225	3 or 4	
WTE150*100CC-F	M15	1.0	85	26	22.225	3 or 4	
WTE160*150CC-F	M16	1.5	85	26	22.225	4	
WTE160*100CC-F	M16	1.0	85	26	22.225	4	
WTE170*150CC-F	M17	1.5	85	26	22.225	4	
WTE170*100CC-F	M17	1.0	85	26	22.225	4	
WTE180*200CC-F	M18	2.0	85	26	22.225	4	
WTE180*150CC-F	M18	1.5	85	26	22.225	4	
WTE180*100CC-F	M18	1.0	85	26	22.225	4	
WTE200*200CC-F	M20	2.0	90	26	22.225	4	
WTE200*150CC-F	M20	1.5	90	26	22.225	4	
WTE200*100CC-F	M20	1.0	90	26	22.225	4	
WTE220*200CC-F	M22	2.0	90	26	22.225	4	
WTE220*150CC-F	M22	1.5	90	26	22.225	4	
WTE220*100CC-F	M22	1.0	90	26	22.225	4	
WTE240*200CC-F	M24	2.0	90	26	22.225	4	
WTE240*150CC-F	M24	1.5	90	26	22.225	4	
WTE240*100CC-F	M24	1.0	90	26	22.225	4	
WTE250*150CC-F	M25	1.5	90	26	22.225	4	
WTE260*150CC-F	M26	1.5	90	26	22.225	4	

(A) 銑刀  
ENDMILLS  
(B) 鑽頭  
DRILLS  
(C) 絞刀  
REAMERS  
(D) 絲攻  
TAPS  
(E) 刀桿/刀盤  
MILLING CUTTERS  
(F) 刀片  
INSERTS

(A) 銑刀  
ENDMILLS  
(B) 鑽頭  
DRILLS  
(C) 絞刀  
REAMERS  
(D) 絲攻  
TAPS  
(E) 刀桿/刀盤  
MILLING CUTTERS  
(F) 刀片  
INSERTS

# 磁浮鎢鋼螺旋絲攻

M.C.T. TUNGSTEN CARBIDE SPIRAL FLUTE TAPS

(A) 銑刀  
ENDMILLS  
(B) 鑽頭  
DRILLS  
(C) 絞刀  
REAMERS  
(D) 絲攻  
TAPS  
(E) 刀桿/刀盤  
MILLING CUTTERS  
(F) 刀片  
INSERTS

產品編號 Item Code	規格 Norm	螺距 Pitch	全長 L	螺長 Lc	柄徑 d	溝數 No. of Flutes	牌價 Price
WTE270*200CC-F	M27	2.0	90	26	22.225	4	
WTE270*150CC-F	M27	1.5	90	26	22.225	4	
WTE270*100CC-F	M27	1.0	90	26	22.225	4	
WTE280*200CC-F	M28	2.0	90	26	22.225	4	
WTE280*150CC-F	M28	1.5	90	26	22.225	4	
WTE280*100CC-F	M28	1.0	90	26	22.225	4	
WTE300*300CC-F	M30	3.0	90	26	22.225	4	
WTE300*200CC-F	M30	2.0	90	26	22.225	4	
WTE300*150CC-F	M30	1.5	90	26	22.225	4	
WTE300*100CC-F	M30	1.0	90	26	22.225	4	
WTE320*200CC-F	M32	2.0	90	26	22.225	4	
WTE320*150CC-F	M32	1.5	90	26	22.225	4	
WTE330*300CC-F	M33	3.0	90	26	22.225	4 or 6	
WTE330*200CC-F	M33	2.0	90	26	22.225	4 or 6	
WTE330*150CC-F	M33	1.5	90	26	22.225	4 or 6	
WTE350*150CC-F	M35	1.5	90	26	22.225	6	
WTE360*300CC-F	M36	3.0	90	26	22.225	6	
WTE360*200CC-F	M36	2.0	90	26	22.225	6	
WTE360*150CC-F	M36	1.5	90	26	22.225	6	
WTE380*150CC-F	M38	1.5	90	26	22.225	6	
WTE390*300CC-F	M39	3.0	90	26	22.225	6	
WTE390*200CC-F	M39	2.0	90	26	22.225	6	
WTE390*150CC-F	M39	1.5	90	26	22.225	6	
WTE400*300CC-F	M40	3.0	90	26	22.225	6	
WTE400*200CC-F	M40	2.0	90	26	22.225	6	
WTE400*150CC-F	M40	1.5	90	26	22.225	6	
WTE420*300CC-F	M42	3.0	90	26	22.225	6	
WTE420*200CC-F	M42	2.0	90	26	22.225	6	
WTE420*150CC-F	M42	1.5	90	26	22.225	6	
WTE450*200CC-F	M45	2.0	90	26	22.225 or 31.75	6	
WTE450*150CC-F	M45	1.5	90	26	22.225 or 31.75	6	
WTE480*200CC-F	M48	2.0	90	26	22.225 or 31.75	6 or 8	
WTE480*150CC-F	M48	1.5	90	26	22.225 or 31.75	6 or 8	
WTE500*200CC-F	M50	2.0	90	26	22.225 or 31.75	6 or 8	
WTE500*150CC-F	M50	1.5	90	26	22.225 or 31.75	6 or 8	

# 磁浮鎢鋼螺旋絲攻

M.C.T. TUNGSTEN CARBIDE SPIRAL FLUTE TAPS

統一粗牙 Unified Coarse Threads

產品編號 Item Code	規格 Norm	螺距 Pitch	全長 L	螺長 Lc	柄徑 d	溝數 No. of Flutes	牌價 Price
WTE-UNC01*64CC	No.1 UNC64	0.3969	36	13	3	3	
WTE-UNC02*56CC	No.2 UNC56	0.4536	42	15	3	3	
WTE-UNC03*48CC	No.3 UNC48	0.5292	44	16	3	3	
WTE-UNC04*40CC	No.4 UNC40	0.6350	44	18	3	3	
WTE-UNC05*40CC	No.5 UNC40	0.6350	46	11	4	3	
WTE-UNC06*32CC	No.6 UNC32	0.7938	48	13	4	3	
WTE-UNC08*32CC	No.8 UNC32	0.7938	52	13	5	3	
WTE-UNC10*24CC	No.10 UNC24	1.0583	60	16	5.5	3	
WTE-UNC12*24CC	No.12 UNC24	1.0583	60	16	5.5	3	
WTE-UNC1/4*20CC	1/4UNC20	1.2700	62	24	6 or 6.6	3	
WTE-UNC5/16*18CC	5/16UNC18	1.4111	70	30	6.2 or 8.2	3 or 4	
WTE-UNC3/8*16CC	3/8UNC16	1.5875	80	30	7 or 10.2	3 or 4	
WTE-UNC7/16*14CC	7/16UNC14	1.8143	80	30	8 or 11.3	3 or 4	
WTE-UNC1/2*13CC	1/2UNC13	1.9538	80	30	8.5 or 12.2	3 or 4	
WTE-UNC9/16*12CC	9/16UNC12	2.1167	80	30	10.5 or 13	3 or 4	
WTE-UNC5/8*11CC	5/8UNC11	2.3091	85	26	22.225	4	
WTE-UNC3/4*10CC	3/4UNC10	2.5400	85	26	22.225	4	
WTE-UNC7/8*09CC	7/8UNC9	2.8222	90	26	22.225	4	
WTE-UNC1"*08CC	1"UNC8	3.1750	90	26	22.225	4	
WTE-UNC1 1/8*07CC	1-1/8UNC7	3.6286	90	26	22.225	4	
WTE-UNC1 1/4*07CC	1-1/4UNC7	3.6286	90	26	22.225	4	
WTE-UNC1 3/8*06CC	1-3/8UNC6	4.2333	90	26	22.225	6	
WTE-UNC1 1/2*06CC	1-1/2UNC6	4.2333	90	26	22.225	6	
WTE-UNC1 3/4*05CC	1-3/4UNC5	5.0800	90	26	22.225 or 31.75	6	
WTE-UNC2"*4 1/2CC	2"UNC4 1/2	5.6444	90	26	22.225 or 31.75	6 or 8	

(A) 銑刀  
ENDMILLS  
(B) 鑽頭  
DRILLS  
(C) 絞刀  
REAMERS  
(D) 絲攻  
TAPS  
(E) 刀桿/刀盤  
MILLING CUTTERS  
(F) 刀片  
INSERTS

# 磁浮鎢鋼螺旋絲攻

M.C.T. TUNGSTEN CARBIDE SPIRAL FLUTE TAPS

統一細牙 Unified Fine Threads

產品編號 Item Code	規格 Norm	螺距 Pitch	全長 L	螺長 Lc	柄徑 d	溝數 No. of Flutes	牌價 Price
WTE-UNC01*72CC	No.1 UNC72	0.3528	36	13	3	2 or 3	
WTE-UNC02*64CC	No.2 UNC64	0.3969	42	15	3	3	
WTE-UNC03*56CC	No.3 UNC56	0.4536	44	16	3	3	
WTE-UNC04*48CC	No.4 UNC48	0.5292	44	16	3	3	
WTE-UNC05*44CC	No.5 UNC44	0.5773	46	11	4	3	
WTE-UNC06*40CC	No.6 UNC40	0.6350	48	13	4	3	
WTE-UNC08*36CC	No.8 UNC36	0.7056	52	13	5	3	
WTE-UNC10*32CC	No.10 UNC32	0.7938	60	16	5.5	3	
WTE-UNC12*28CC	No.12 UNC28	0.9071	60	16	5.5	3	
WTE-UNF1/4*28CC	1/4UNF28	0.9071	60	24	6 or 6.6	3	
WTE-UNF5/16*24CC	5/16UNF24	1.0583	70	30	6.2 or 8.2	3 or 4	
WTE-UNF3/8*24CC	3/8UNF24	1.0583	75	30	7 or 10.2	3 or 4	
WTE-UNF7/16*20CC	7/16UNF20	1.2700	80	30	8 or 11.3	3 or 4	
WTE-UNF1/2*20CC	1/2UNF20	1.2700	80	30	8.5 or 12.2	3 or 4	
WTE-UNF9/16*18CC	9/16UNF18	1.4111	80	30	10.5 or 13	3 or 4	
WTE-UNF5/8*18CC	5/8UNF18	1.4111	85	26	22.225	4	
WTE-UNF3/4*16CC	3/4UNF16	1.5875	85	26	22.225	4	
WTE-UNF7/8*14CC	7/8UNF14	1.8143	90	26	22.225	4	
WTE-UNF1"*12CC	1"UNF12	2.1167	90	26	22.225	4	
WTE-UNF1 1/8*12CC	1-1/8UNF12	2.1167	90	26	22.225	4	
WTE-UNF1 1/4*12CC	1-1/4UNF12	2.1167	90	26	22.225	4	
WTE-UNF1 3/8*12CC	1-3/8UNF12	2.1167	90	26	22.225	6	
WTE-UNF1 1/2*12CC	1-1/2UNF12	2.1167	90	26	22.225	6	

# 磁浮鎢鋼螺旋絲攻

M.C.T. TUNGSTEN CARBIDE SPIRAL FLUTE TAPS

統一細牙 Unified Fine Threads

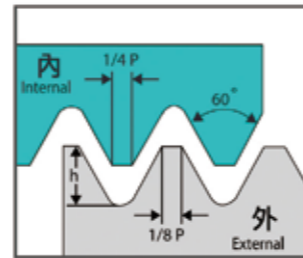
產品編號 Item Code	規格 Norm	螺距 Pitch	全長 L	螺長 Lc	溝長 le	柄徑 d	溝數 No. of Flutes	牌價 Price
WTE030*050CC-F	M3	0.5	46	11	19	4	3	
WTE040*070CC-F	M4	0.7	52	13	21	5	3	
WTE050*080CC-F	M5	0.8	60	16	24	5.5	3	
WTE060*100CC-F	M6	1.0	62	19	29	6 or 6.2	3	
WTE080*125CC-F	M8	1.25	72	22	37	6.2 or 8.2	3 or 4	
WTE100*150CC-F	M10	1.5	75	24	41	7 or 10.2	3 or 4	
WTE120*175CC-F	M12	1.75	80	29	48	8.5 or 12.2	3 or 4	
WTE1/8*40CC-F	1/8W40	0.6350	46	11	19	4	3	
WTE5/32*32CC-F	5/32W32	0.7938	52	13	21	5	3	
WTE3/16*24CC-F	3/16W24	1.0583	60	16	24	5.5	3	
WTE1/4*20CC-F	1/4W20	1.2700	62	19	29	6 or 6.6	3	
WTE5/16*18CC-F	5/16W18	1.4111	70	22	37	6.1 or 8.2	3 or 4	
WTE3/8*16CC-F	3/8W16	1.5875	75	24	41	7 or 10.2	3 or 4	
WTE7/16*14CC-F	7/16W14	1.8143	80	25	42	8 or 12.2	3 or 4	
WTE1/2*12CC-F	1/2W12	2.1167	80	29	48	9 or 13.2	3 or 4	
WTE-UNC05*40CC	No.5UNC40	0.6350	46	11	19	4	3	
WTE-UNF05*44CC	No.5UNF44	0.5773	46	11	19	4	3	
WTE-UNC06*32CC	No.6UNC32	0.7938	48	13	20	4	3	
WTE-UNF06*40CC	No.6UNF40	0.6350	48	13	20	4	3	
WTE-UNC08*32CC	No.8UNC32	0.7938	52	13	21	5	3	
WTE-UNF08*36CC	No.8UNF36	0.7056	52	13	21	5	3	
WTE-UNC10*24CC	No.10UNC24	1.0583	60	16	24	5.5	3	
WTE-UNF10*32CC	No.10UNF32	0.7938	60	16	24	5.5	3	
WTE-UNC12*24CC	No.12UNC24	1.0583	60	16	24	5.5	3	
WTE-UNC1/4*20CC	1/4UNC20	1.2700	62	19	30	6 or 6.6	3	
WTE-UNF1/4*28CC	1/4UNF28	0.9071	62	19	30	6 or 6.6	3	
WTE-UNC5/16*18CC	5/16UNC18	1.4111	70	22	37	6.1 or 8.2	3 or 4	
WTE-UNF5/16*24CC	5/16UNF24	1.0583	70	22	37	6.1 or 8.2	3 or 4	
WTE-UNC3/8*16CC	3/8UNC16	1.5875	75	24	41	7 or 10.2	3 or 4	
WTE-UNF3/8*24CC	3/8UNF24	1.0583	75	24	41	7 or 10.2	3 or 4	
WTE-UNC7/16*14CC	7/16UNC14	1.8143	80	25	42	8 or 12.2	3 or 4	
WTE-UNF7/16*20CC	7/16UNF20	1.2700	80	25	42	8 or 12.2	3 or 4	
WTE-UNF1/2*20CC	1/2UNF20	1.2700	80	29	48	9 or 13.2	3 or 4	

(A) 銑刀  
ENDMILLS  
(B) 鑽頭  
DRILLS  
(C) 絞刀  
REAMERS  
(D) 絲攻  
TAPS  
(E) 刀桿/刀盤  
MILLING CUTTERS  
(F) 刀片  
INSERTS

(A) 銑刀  
ENDMILLS  
(B) 鑽頭  
DRILLS  
(C) 絞刀  
REAMERS  
(D) 絲攻  
TAPS  
(E) 刀桿/刀盤  
MILLING CUTTERS  
(F) 刀片  
INSERTS

錫鋼直刃銑牙刀 - 外螺紋用 (ISO 規格)

MICRO GRAIN CARBIDE THREAD  
- STRAIGHT FLUTE- EXTERNAL (ISO Metric)



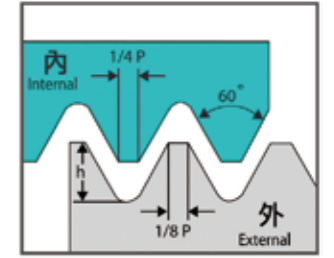
Tolerance class (公差)  
6g / 6H



產品編號 Item Code	刃徑 D	刃長 L1	全長 L	柄徑 d	h (mm)	螺距 Pitch	螺紋 Thread	牙數 Teeth	刃數 Flute	牌價 Price
WCT030*050BC	5.9	15.0	60	6	0.31	0.50	M3	30	3	
WCT045*075BC	7.9	19.5	60	8	0.46	0.75	M4.5	26	3	
WCT060*100BC	9.9	24.0	75	10	0.61	1.00	M6	24	5	
WCT100*150BC	11.9	30.0	100	12	0.92	1.50	M10	20	5	
WCT140*200BC	11.9	30.0	100	12	1.23	2.00	M14	15	5	
WCT240*300BC	15.9	36.0	100	16	1.84	3.00	M24	12	5	
WCT360*400BC	15.9	40.0	100	16	2.45	4.00	M36	10	5	
WCT640*600BC	19.9	36.0	100	20	3.68	6.00	M64	6	5	

錫鋼直刃銑牙刀 - 內螺紋用 (ISO 規格)

MICRO GRAIN CARBIDE THREAD  
- STRAIGHT FLUTE- INTERNAL (ISO Metric)



Tolerance class (公差)  
6g / 6H



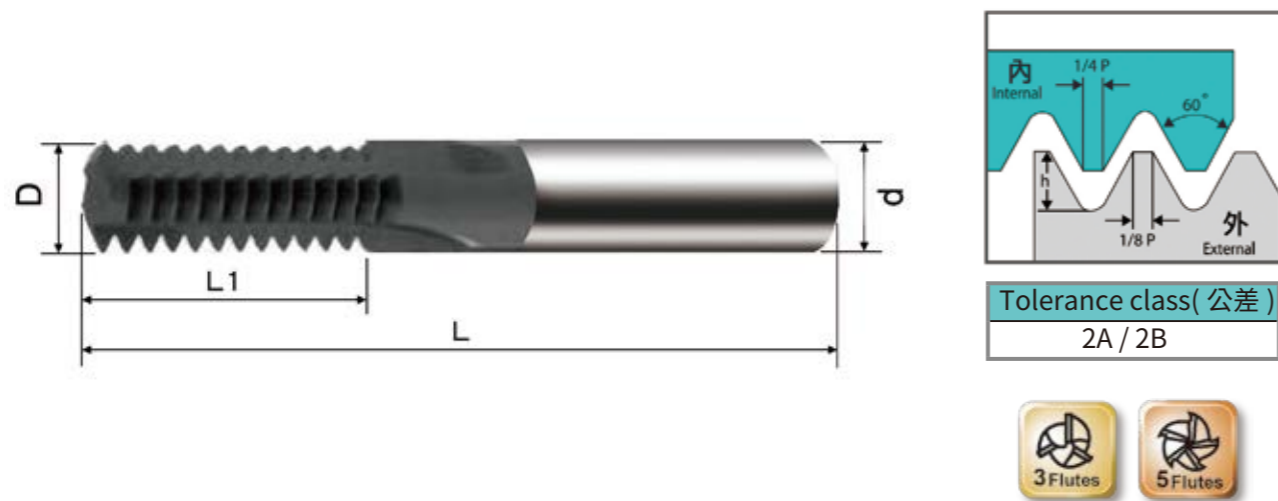
產品編號 Item Code	刃徑 D	刃長 L1	全長 L	柄徑 d	h (mm)	螺距 Pitch	螺紋 Thread	牙數 Teeth	刃數 Flute	牌價 Price
WCTI045*075BC	3.0	6.7	50	4	0.43	0.75	M4.5	9	3	
WCTI080*075BC	5.9	15.0	60	6	0.43	0.75	M8	20	3	
WCTI050*080BC	3.6	8.0	50	4	0.46	0.80	M5	10	3	
WCTI060*100BC	4.0	9.0	60	6	0.58	1.00	M6	9	3	
WCTI120*100BC	7.9	20.0	60	8	0.58	1.00	M12	20	3	
WCTI080*125BC	5.0	12.5	60	6	0.72	1.25	M8	10	3	
WCTI100*150BC	5.9	15.0	60	6	0.87	1.50	M10	10	3	
WCTI140*150BC	9.9	24.0	75	10	0.87	1.50	M14	16	5	
WCTI180*150BC	11.9	30.0	100	12	0.87	1.50	M18	20	5	
WCTI120*175BC	7.9	19.2	60	8	1.01	1.75	M12	11	3	
WCTI160*200BC	9.9	24.0	75	10	1.15	2.00	M16	12	5	
WCTI180*200BC	11.9	30.0	100	12	1.15	2.00	M18	15	5	
WCTI200*250BC	11.9	30.0	100	12	1.44	2.50	M20	12	5	
WCTI240*300BC	15.9	36.0	100	16	1.73	3.00	M24	12	5	
WCTI300*350BC	15.9	38.5	100	16	2.02	3.50	M30	11	5	
WCTI360*400BC	15.9	40.0	100	16	2.31	4.00	M36	10	5	
WCTI480*500BC	19.9	40.0	100	20	2.89	5.00	M48	8	5	
WCTI640*600BC	19.9	36.0	100	20	3.46	6.00	M64	6	5	

(A) 銑刀  
ENDMILLS  
(B) 鑽頭  
DRILLS  
(C) 絞刀  
REAMERS  
(D) 絲攻  
TAPS  
(E) 刀桿/刀盤  
MILLING CUTTERS  
(F) 刀片  
INSERTS

(A) 銑刀  
ENDMILLS  
(B) 鑽頭  
DRILLS  
(C) 絞刀  
REAMERS  
(D) 絲攻  
TAPS  
(E) 刀桿/刀盤  
MILLING CUTTERS  
(F) 刀片  
INSERTS

鎢鋼直刃銑牙刀 - 外螺紋用 (UN 美製規格)

MICRO GRAIN CARBIDE THREAD  
- STRAIGHT FLUTE- EXTERNAL(American UN)

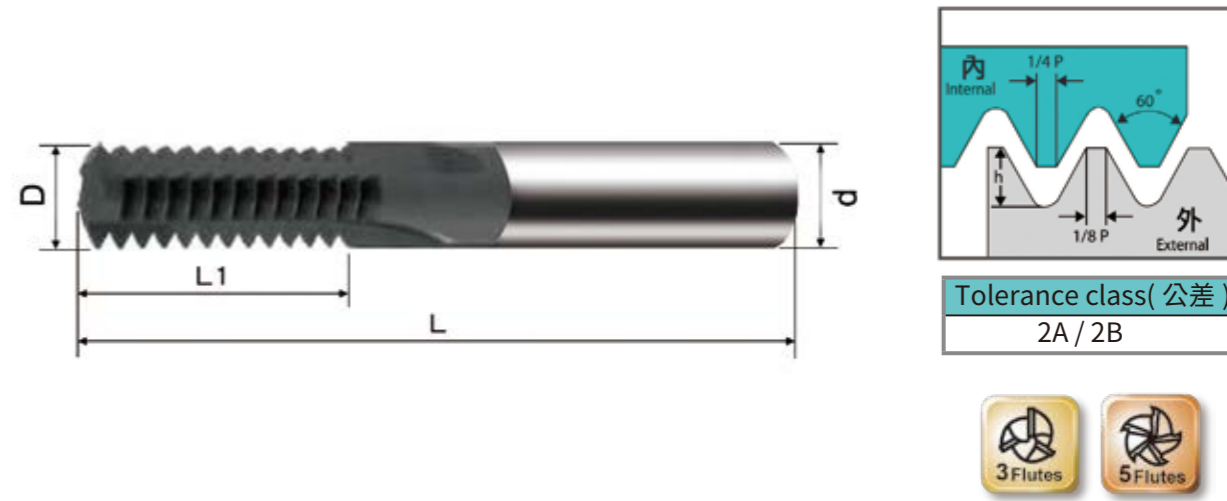


產品編號 Item Code	刃徑 D	刃長 L1	全長 L	柄徑 d	h (mm)	牙/吋 Tpi	螺紋 Thread	牙數 Teeth	刃數 Flute	牌價 Price
WCT-UNC06*32BC	5.9	14.3	60	6	0.49	32	No.6	18	3	
WCT-UNC12*28BC	7.9	19.9	60	8	0.56	28	No.12	22	3	
WCT-UNC1/4*20BC	9.9	22.9	75	10	0.78	20	1/4"	18	5	
WCT-UNC5/16*18BC	9.9	24.0	75	10	0.87	18	5/16"	17	5	
WCT-UNC3/8*16BC	11.9	28.6	100	12	0.97	16	3/8"	18	5	
WCT-UNC9/16*12BC	11.9	29.6	100	12	1.30	12	9/16"	14	5	
WCT-UNC1*08BC	15.9	38.1	100	16	1.95	8	1"	12	5	
WCT-UNC1 3/8*06BC	19.9	38.1	100	20	2.60	6	1 3/8"	9	5	

■  $25.4 \div Tpi$  (英制單位) = Pitch (公制單位)

鎢鋼直刃銑牙刀 - 內螺紋用 (UN 美製規格)

MICRO GRAIN CARBIDE THREAD  
- STRAIGHT FLUTE- INTERNAL(American UN)



產品編號 Item Code	刃徑 D	刃長 L1	全長 L	柄徑 d	h (mm)	牙/吋 Tpi	螺紋 Thread	牙數 Teeth	刃數 Flute	牌價 Price
WCTI-UNC08*36BC	3.0	6.3	50	4	0.41	36	No.8	9	3	
WCTI-UNC08*32BC	3.0	6.3	50	4	0.46	32	No.8	8	3	
WCTI-UNC5/16*32BC	5.9	14.3	60	6	0.46	32	5/16"	18	3	
WCTI-UNC12*28BC	3.6	8.2	50	4	0.52	28	No.12	9	3	
WCTI-UNC7/16*28BC	7.9	19.9	60	8	0.52	28	7/16"	22	3	
WCTI-UNC12*24BC	4.0	8.5	60	6	0.61	24	No.12	8	3	
WCTI-UNC1/4*20BC	4.0	10.2	60	6	0.73	20	1/4"	8	3	
WCTI-UNC9/16*20BC	9.9	22.9	75	10	0.73	20	9/16"	18	5	
WCTI-UNC5/16*18BC	5.0	12.7	60	6	0.81	18	5/16"	9	3	
WCTI-UNC9/16*18BC	9.9	24.0	75	10	0.81	18	9/16"	17	5	
WCTI-UNC3/8*16BC	5.9	14.3	60	6	0.92	16	3/8"	9	3	
WCTI-UNC3/4*16BC	11.9	28.6	100	12	0.92	16	3/4"	18	5	
WCTI-UNC7/16*14BC	7.9	18.1	60	8	1.05	14	7/16"	10	3	
WCTI-UNC1/2*13BC	7.9	19.5	60	8	1.13	13	1/2"	10	3	
WCTI-UNC9/16*12BC	9.9	23.3	75	10	1.22	12	9/16"	11	5	
WCTI-UNC1*12BC	11.9	29.6	100	12	1.22	12	1"	14	5	
WCTI-UNC5/8*11BC	9.9	23.1	75	10	1.33	11	5/8"	10	5	
WCTI-UNC3/4*10BC	11.9	27.9	100	12	1.47	10	3/4"	11	5	
WCTI-UNC7/8*09BC	15.9	33.3	100	16	1.63	9	7/8"	12	5	
WCTI-UNC1*08BC	15.9	38.1	100	16	1.83	8	1"	12	5	
WCTI-UNC1 1/8*07BC	15.9	36.3	100	16	2.09	7	1 1/8"	10	5	
WCTI-UNC1 3/8*06BC	19.9	38.1	100	20	2.44	6	1 3/8"	9	5	
WCTI-UNC1 3/4*05BC	19.9	40.6	100	20	2.93	5	1 3/4"	8	5	
WCTI-UNC2*045BC	19.9	39.5	100	20	3.26	4.5	2"	7	5	

■  $25.4 \div Tpi$  (英制單位) = Pitch (公制單位)

(A) 銑刀  
ENDMILLS  
(B) 鑽頭  
DRILLS  
(C) 絞刀  
REAMERS  
(D) 絲攻  
TAPS  
(E) 刀桿/刀盤  
MILLING CUTTERS  
(F) 刀片  
INSERTS

(A) 銑刀  
ENDMILLS  
(B) 鑽頭  
DRILLS  
(C) 絞刀  
REAMERS  
(D) 絲攻  
TAPS  
(E) 刀桿/刀盤  
MILLING CUTTERS  
(F) 刀片  
INSERTS

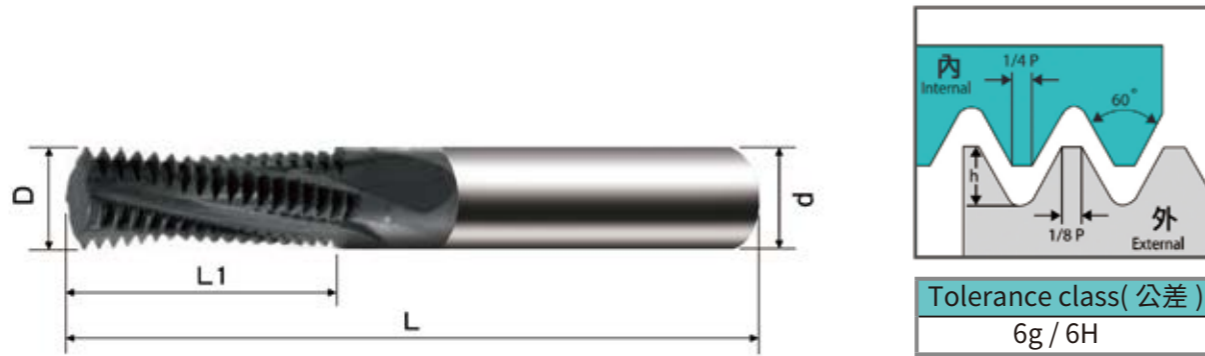


鎢鋼螺旋銑牙刀 - 內螺紋用 (ISO 規格)

MICRO GRAIN CARBIDE THREAD  
- HELIX FLUTE- INTERNAL(ISO Metric)

鎢鋼螺旋銑牙刀 - 內螺紋用 (UN 美製規格)

MICRO GRAIN CARBIDE THREAD  
- HELIX FLUTE- INTERNAL(UN Metric)



(A) 銑刀  
ENDMILLS  
(B) 鑽頭  
DRILLS  
(C) 絞刀  
REAMERS  
(D) 絲攻  
TAPS  
(E) 刀桿/刀盤  
MILLING CUTTERS  
(F) 刀片  
INSERTS

(A) 銑刀  
ENDMILLS  
(B) 鑽頭  
DRILLS  
(C) 絞刀  
REAMERS  
(D) 絲攻  
TAPS  
(E) 刀桿/刀盤  
MILLING CUTTERS  
(F) 刀片  
INSERTS

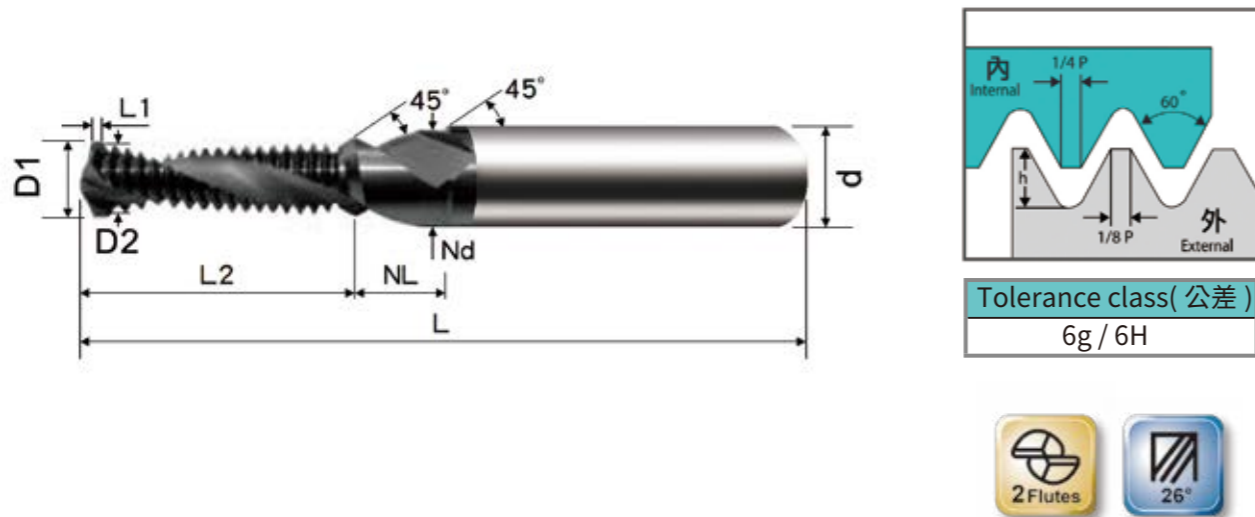
產品編號 Item Code	刃徑 D	刃長 L1	全長 L	柄徑 d	h (mm)	螺距 Pitch	螺紋 Thread		牙數 Teeth	刃數 Flute	牌價 Price
							M 粗牙	Mx1 細牙			
WCTI030*050CC	2.2	6.00	50	4	0.29	0.50	M3	M3.5~M16	12	3	
WCTI040*050CC	3.0	8.00	50	4	0.29	0.50		M4	16	3	
WCTI050*050CC	3.9	10.00	50	4	0.29	0.50		M5	20	3	
WCTI040*070CC	2.8	8.40	50	4	0.40	0.70	M4		12	3	
WCTI060*075CC	3.9	12.00	50	4	0.43	0.75		M6	16	3	
WCTI050*080CC	3.5	10.40	50	4	0.46	0.80	M5		13	3	
WCTI060*100CC	3.9	12.00	50	4	0.58	1.00	M6	M8~M40	12	3	
WCTI080*100CC	5.9	16.00	60	6	0.58	1.00		M8	16	3	
WCTI100*100CC	7.9	20.00	60	8	0.58	1.00		M10	20	3	
WCTI120*100CC	9.9	24.00	75	10	0.58	1.00		M12	24	4	
WCTI080*125CC	5.8	16.25	60	6	0.72	1.25	M8		13	3	
WCTI100*125CC	7.7	20.00	60	8	0.72	1.25		M10	16	3	
WCTI100*150CC	7.7	21.00	60	8	0.87	1.50	M10	M12~M48	14	3	
WCTI120*150CC	9.4	24.00	75	10	0.87	1.50		M12	16	4	
WCTI140*150CC	11.2	28.50	100	12	0.87	1.50		M14	19	4	
WCTI160*150CC	11.9	33.00	100	12	0.87	1.50		M16	22	4	
WCTI120*175CC	8.7	24.50	75	10	1.01	1.75	M12		14	4	
WCTI140*200CC	9.9	28.00	75	10	1.15	2.00	M14	M17~M80	14	4	
WCTI170*200CC	11.9	32.00	100	12	1.15	2.00		M17~M80	16	4	
WCTI180*250CC	13.9	40.00	100	16	1.44	2.50	M18~M22		16	5	
WCTI240*300CC	15.9	42.00	100	16	1.73	3.00	M24		14	4	

產品編號 Item Code	刃徑 D	刃長 L1	全長 L	柄徑 d	h (mm)	牙 /吋 Tpi	螺紋 Thread			牙數 Teeth	刃數 Flute	牌價 Price
							UNC 粗牙	UNF 細牙	UNEF 超細牙			
WCTI-UNC08*36CC	3.0	8.5	50	4	0.41	36		No.8		12	3	
WCTI-UNC10*32CC	3.3	11.1	50	4	0.46	32		No.10	No.12-3/8"	14	3	
WCTI-UNC12*28CC	3.8	11.8	50	4	0.52	28		No.12, 1/4"	7/16", 1/2"	13	3	
WCTI-UNC1/4*28CC	4.6	12.7	60	6	0.52	28		1/4"	7/16", 1/2"	14	3	
WCTI-UNC7/16*28CC	9.2	22.7	75	10	0.52	28			7/16", 1/2"	25	4	
WCTI-UNC10*24CC	2.9	10.6	50	4	0.61	24	No.10	5/16", 3/8"	9/16"-11/16"	10	3	
WCTI-UNC12*24CC	3.5	11.6	50	4	0.61	24	No.12	5/16", 3/8"	9/16"-11/16"	11	3	
WCTI-UNC5/16*24CC	5.7	15.9	60	6	0.61	24		5/16", 3/8"	9/16"-11/16"	15	3	
WCTI-UNC3/8*24CC	7.4	19.1	60	8	0.61	24		3/8"	9/16"-11/16"	18	3	
WCTI-UNC9/16*24CC	11.9	28.6	100	12	0.61	24			9/16"-11/16"	27	4	
WCTI-UNC1/4*20CC	3.9	12.7	50	4	0.73	20	1/4"	7/16", 1/2"	3/4"-1"	10	3	
WCTI-UNC7/16*20CC	8.5	22.9	75	10	0.73	20		7/16", 1/2"	3/4"-1"	18	4	
WCTI-UNC1/2*20CC	9.9	25.4	75	10	0.73	20		1/2"	3/4"-1"	20	4	
WCTI-UNC3/4*20CC	15.9	38.1	100	16	0.73	20			3/4"-1"	30	5	
WCTI-UNC5/16*18CC	5.2	16.9	60	6	0.81	18	5/16"	9/16", 5/8"	11/16", 1 11/16"	12	3	
WCTI-UNC9/16*18CC	11.3	29.6	100	12	0.81	18		9/16", 5/8"	11/16", 1 11/16"	21	4	
WCTI-UNC5/8*18CC	11.9	32.5	100	12	0.81	18		5/8"	11/16", 1 11/16"	23	4	
WCTI-UNC3/8*16CC	6.7	19.1	60	8	0.92	16	3/8"	3/4"		12	3	
WCTI-UNC3/4*16CC	15.9	38.1	100	16	0.92	16		3/4"		24	4	
WCTI-UNC7/16*14CC	7.6	23.6	60	8	1.05	14	7/16"	7/8"		13	4	
WCTI-UNC7/8*14CC	18.7	44.4	100	20	1.05	14		7/8"		24	4	
WCTI-UNC1/2*13CC	8.9	25.4	75	10	1.13	13	1/2"			13	4	
WCTI-UNC9/16*12CC	10.3	29.6	100	12	1.22	12	9/16"	1"-1 1/2"		14	4	
WCTI-UNC1*12CC	19.9	50.8	100	20	1.22	12		1"-1 1/2"		24	5	
WCTI-UNC5/8*11CC	11.0	32.3	100	12	1.33	11	5/8"			14	4	
WCTI-UNC3/4*10CC	13.5	38.1	100	16	1.47	10	3/4"			15	5	
WCTI-UNC7/8*09CC	15.2	45.2	100	16	1.63	9	7/8"			16	4	
WCTI-UNC1*08CC	17.0	50.8	100	20	1.83	8	1"			16	4	

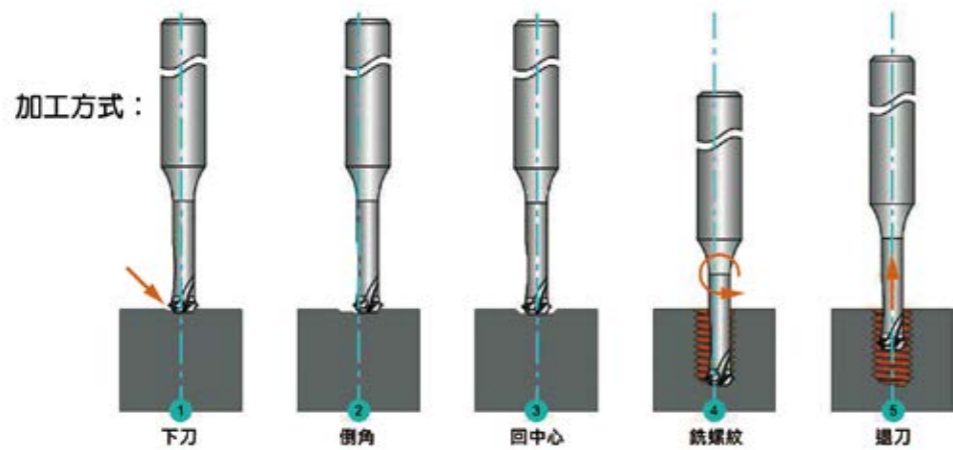
■ 25.4 ÷ Tpi (英制單位) = Pitch (公制單位)

錫鋼多功能螺旋鑽銑牙刀  
(鑽 - 螺紋 - 倒角) - 內螺紋用 (ISO 規格)

MICRO GRAIN CARBIDE DRILL  
- THREAD- CHAMFER- HELIX FLUTE- INTERNAL (ISO Metric)

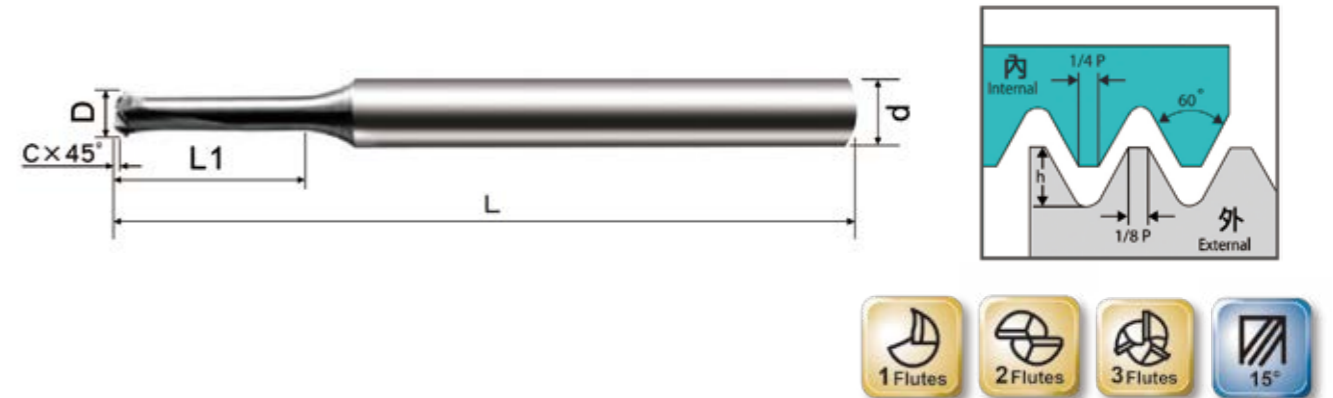


產品編號 Item Code	D1	D2	L1	L2	L	Nd	NL	d	h (mm)	螺距 Pitch	螺紋 Thread 粗牙 M	牙數 Teeth	刃數 Flute	牌價 Price
WDCTI060*100CC	5.0	4.85	1.0	13.7	60	6.6	9.5	8	0.58	1.00	M6	11	2	
WDCTI080*125CC	6.8	6.45	1.3	17.1	75	9.0	16.8	10	0.72	1.25	M8	11	2	
WDCTI100*150CC	8.5	8.08	1.5	22.1	80	11.0	11.6	12	0.87	1.50	M10	12	2	
WDCTI120*175CC	10.3	9.74	1.5	25.5	90	13.5	17.9	14	1.01	1.75	M12	12	2	



極細錫鋼多功能單 / 雙牙螺旋鑽銑牙刀  
(鑽 - 螺紋 - 倒角) - 鋁用 - 內螺紋用 (ISO 規格)

ULTRA CARBIDE MULTIPURPOSE THREAD MILLS  
- 1 / 2 / 3 TEETH- HELIX FLUTE (DRILL-CHAMFER-THREAD)  
- For Aluminum- INTERNAL (ISO Metric)



產品編號 Item Code	刃徑 D	刃長 L1	全長 L	柄徑 d	螺距 Pitch	螺紋 Thread	倒角 Chamfer	牙數 Teeth	刃數 Flute	牌價 Price
WDCTIA008*020CC	0.60	2.4	50	4	0.20	M0.8	0.10	1	1	
WDCTIA009*0225CC	0.66	2.7	50	4	0.225	M0.9	0.12	1	1	
WDCTIA010*025CC	0.73	3.0	50	4	0.25	M1.0	0.15	1	1	
WDCTIA012*025CC	0.92	3.6	50	4	0.25	M1.2	0.15	1	1	
WDCTIA014*030CC	1.05	4.2	50	4	0.30	M1.4	0.19	1	1	
WDCTIA016*035CC	1.21	4.8	50	4	0.35	M1.6	0.22	1	1	
WDCTIA020*040CC	1.55	6.0	50	4	0.40	M2.0	0.25	1	2	
WDCTIA025*045CC	2.00	7.5	50	4	0.45	M2.5	0.29	1	2	
WDCTIA030*050CC	2.44	9.0	60	6	0.50	M3.0	0.33	1	2	
WDCTIA040*070CC	3.20	12.0	60	6	0.70	M4.0	0.45	1	2	
WDCTIA050*080CC	4.00	15.0	60	6	0.80	M5.0	0.53	1	2	
WDCTIA060*100CC	4.85	18.0	75	6	1.00	M6.0	0.65	2	3	
WDCTIA080*125CC	6.50	24.0	75	8	1.25	M8.0	0.80	2	3	
WDCTIA100*150CC	7.90	30.0	75	8	1.50	M10.0	1.00	2	3	

(A) 銑刀  
ENDMILLS

(B) 鑽頭  
DRILLS

(C) 絞刀  
REAMERS

(D) 絲攻  
TAPS

(E) 刀桿/刀盤  
MILLING CUTTERS

(F) 刀片  
INSERTS

(A) 銑刀  
ENDMILLS

(B) 鑽頭  
DRILLS

(C) 絞刀  
REAMERS

(D) 絲攻  
TAPS

(E) 刀桿/刀盤  
MILLING CUTTERS

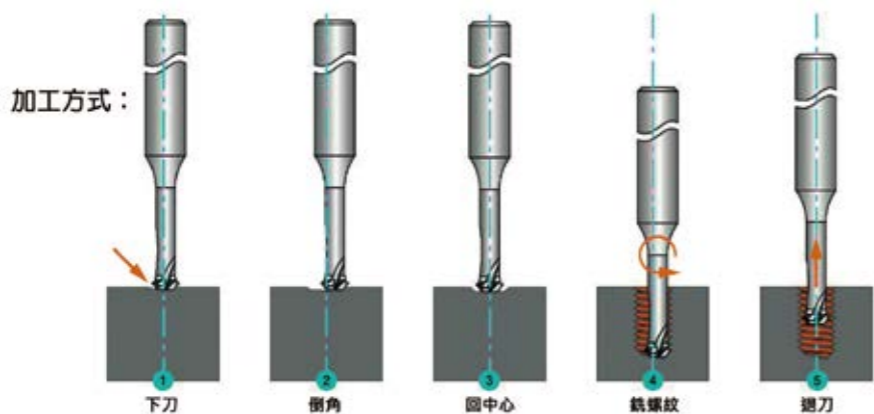
(F) 刀片  
INSERTS

極細鎢鋼多功能單 / 雙牙螺旋鑽銑牙刀  
 (鑽 - 倒角 - 螺紋) - 硬材質用 - 內螺紋用 (ISO 規格)

ULTRA CARBIDE MULTIPURPOSE THREAD MILLS  
 - 1 / 2 / 3 TEETH- HELIX FLUTE (DRILL-CHAMFER-THREAD)  
 - HARD MATERIALS CUTTING- INTERNAL (ISO Metric)



產品編號 Item Code	刃徑 D	刃長 L1	全長 L	柄徑 d	螺距 Pitch	螺紋 Thread	倒角 Chamfer	牙數 Teeth	刃數 Flute	牌價 Price
WDCATIO008*020CC	0.60	2.4	50	4	0.2	M0.8	0.10	1	1	
WDCATIO009*0225CC	0.66	2.7	50	4	0.225	M0.9	0.12	1	1	
WDCATIO010*025CC	0.73	3.0	50	4	0.25	M1.0	0.15	1	1	
WDCATIO012*025CC	0.92	3.6	50	4	0.25	M1.2	0.15	1	1	
WDCATIO014*030CC	1.05	4.2	50	4	0.30	M1.4	0.19	1	1	
WDCATIO016*035CC	1.21	4.8	50	4	0.35	M1.6	0.22	1	1	
WDCATIO020*040CC	1.55	6.0	50	4	0.40	M2.0	0.25	1	2	
WDCATIO025*045CC	2.00	7.5	50	4	0.45	M2.5	0.29	1	2	
WDCATIO030*050CC	2.44	9.0	60	6	0.50	M3.0	0.33	1	2	
WDCATIO040*070CC	3.20	12.0	60	6	0.70	M4.0	0.45	1	2	
WDCATIO050*080CC	4.00	15.0	60	6	0.80	M5.0	0.53	1	2	
WDCATIO060*100CC	4.85	18.0	75	6	1.00	M6.0	0.65	2	3	
WDCATIO080*125CC	6.50	24.0	75	8	1.25	M8.0	0.80	2	3	
WDCATIO100*150CC	7.90	30.0	75	8	1.50	M10.0	1.00	2	3	



(A) 銑刀  
ENDMILLS

(B) 鑽頭  
DRILLS

(C) 絞刀  
REAMERS

(D) 絲攻  
TAPS

(E) 刀桿/刀盤  
MILLING CUTTERS

(F) 刀片  
INSERTS

(A) 銑刀  
ENDMILLS

(B) 鑽頭  
DRILLS

(C) 絞刀  
REAMERS

(D) 絲攻  
TAPS

(E) 刀桿/刀盤  
MILLING CUTTERS

(F) 刀片  
INSERTS

(A)  
銑  
刀  
ENDMILLS

(B)  
鑽  
頭  
DRILLS

(C)  
絞  
刀  
REAMERS

(D)  
絲  
攻  
TAPS

(E)  
刀  
桿  
刀  
盤  
MILLINGCUTTERS

(F)  
刀  
片  
INSERTS

(A)  
銑  
刀  
ENDMILLS

(B)  
鑽  
頭  
DRILLS

(C)  
絞  
刀  
REAMERS

(D)  
絲  
攻  
TAPS

(E)  
刀  
桿  
刀  
盤  
MILLINGCUTTERS

(F)  
刀  
片  
INSERTS

(A)  
銑  
刀  
ENDMILLS

(B)  
鑽  
頭  
DRILLS

(C)  
絞  
刀  
REAMERS

(D)  
絲  
攻  
TAPS

(E)  
刀  
桿  
刀  
盤  
MILLINGCUTTERS

(F)  
刀  
片  
INSERTS

(A)  
銑  
刀  
ENDMILLS

(B)  
鑽  
頭  
DRILLS

(C)  
絞  
刀  
REAMERS

(D)  
絲  
攻  
TAPS

(E)  
刀  
桿  
刀  
盤  
MILLINGCUTTERS

(F)  
刀  
片  
INSERTS

(A)  
銑  
刀  
ENDMILLS

(B)  
鑽  
頭  
DRILLS

(C)  
絞  
刀  
REAMERS

(D)  
絲  
攻  
TAPS

(E)  
刀  
桿  
刀  
盤  
MILLING CUTTERS

(F)  
刀  
片  
INSERTS

(A)  
銑  
刀  
ENDMILLS

(B)  
鑽  
頭  
DRILLS

(C)  
絞  
刀  
REAMERS

(D)  
絲  
攻  
TAPS

(E)  
刀  
桿  
刀  
盤  
MILLING CUTTERS

(F)  
刀  
片  
INSERTS



(A)  
ENDMILLS 銑刀

(B)  
DRILLS 鑽頭

(C)  
REAMERS 絞刀

(D)  
TAPS 絲攻

(E)  
MILLINGCUTTERS 刀桿/刀盤

(F)  
INSERTS 刀片

(A)  
ENDMILLS 銑刀

(B)  
DRILLS 鑽頭

(C)  
REAMERS 絞刀

(D)  
TAPS 絲攻

(E)  
MILLINGCUTTERS 刀桿/刀盤

(F)  
INSERTS 刀片



(A)  
ENDMILLS 銑刀

(B)  
DRILLS 鑽頭

(C)  
REAMERS 絞刀

(D)  
TAPS 絲攻

(E)  
MILLING CUTTERS 刀桿/刀盤

(F)  
INSERTS 刀片

(A)  
ENDMILLS 銑刀

(B)  
DRILLS 鑽頭

(C)  
REAMERS 絞刀

(D)  
TAPS 絲攻

(E)  
MILLING CUTTERS 刀桿/刀盤

(F)  
INSERTS 刀片





(A)  
銑  
刀  
ENDMILLS

(B)  
鑽  
頭  
DRILLS

(C)  
絞  
刀  
REAMERS

(D)  
絲  
攻  
TAPS

(E)  
刀  
桿  
刀  
盤  
MILLING CUTTERS

(F)  
刀  
片  
INSERTS

(A)  
銑  
刀  
ENDMILLS

(B)  
鑽  
頭  
DRILLS

(C)  
絞  
刀  
REAMERS

(D)  
絲  
攻  
TAPS

(E)  
刀  
桿  
刀  
盤  
MILLING CUTTERS

(F)  
刀  
片  
INSERTS



(A)  
銑  
刀  
ENDMILLS

(B)  
鑽  
頭  
DRILLS

(C)  
絞  
刀  
REAMERS

(D)  
絲  
攻  
TAPS

(E)  
刀  
桿  
刀  
盤  
MILLING CUTTERS

(F)  
刀  
片  
INSERTS

(A)  
銑  
刀  
ENDMILLS

(B)  
鑽  
頭  
DRILLS

(C)  
絞  
刀  
REAMERS

(D)  
絲  
攻  
TAPS

(E)  
刀  
桿  
刀  
盤  
MILLING CUTTERS

(F)  
刀  
片  
INSERTS



(A)  
銑  
刀  
ENDMILLS

(B)  
鑽  
頭  
DRILLS

(C)  
絞  
刀  
REAMERS

(D)  
絲  
攻  
TAPS

(E)  
刀  
桿  
刀  
盤  
MILLINGCUTTERS

(F)  
刀  
片  
INSERTS

(A)  
銑  
刀  
ENDMILLS

(B)  
鑽  
頭  
DRILLS

(C)  
絞  
刀  
REAMERS

(D)  
絲  
攻  
TAPS

(E)  
刀  
桿  
刀  
盤  
MILLINGCUTTERS

(F)  
刀  
片  
INSERTS

(A)  
ENDMILLS  
銑  
刀

(B)  
DRILLS  
鑽  
頭

(C)  
REAMERS  
絞  
刀

(D)  
TAPS  
絲  
攻

(E)  
MILLINGCUTTERS  
刀  
桿 / 刀  
盤

(F)  
INSERTS  
刀  
片

(A)  
ENDMILLS  
銑  
刀

(B)  
DRILLS  
鑽  
頭

(C)  
REAMERS  
絞  
刀

(D)  
TAPS  
絲  
攻

(E)  
MILLINGCUTTERS  
刀  
桿 / 刀  
盤

(F)  
INSERTS  
刀  
片

